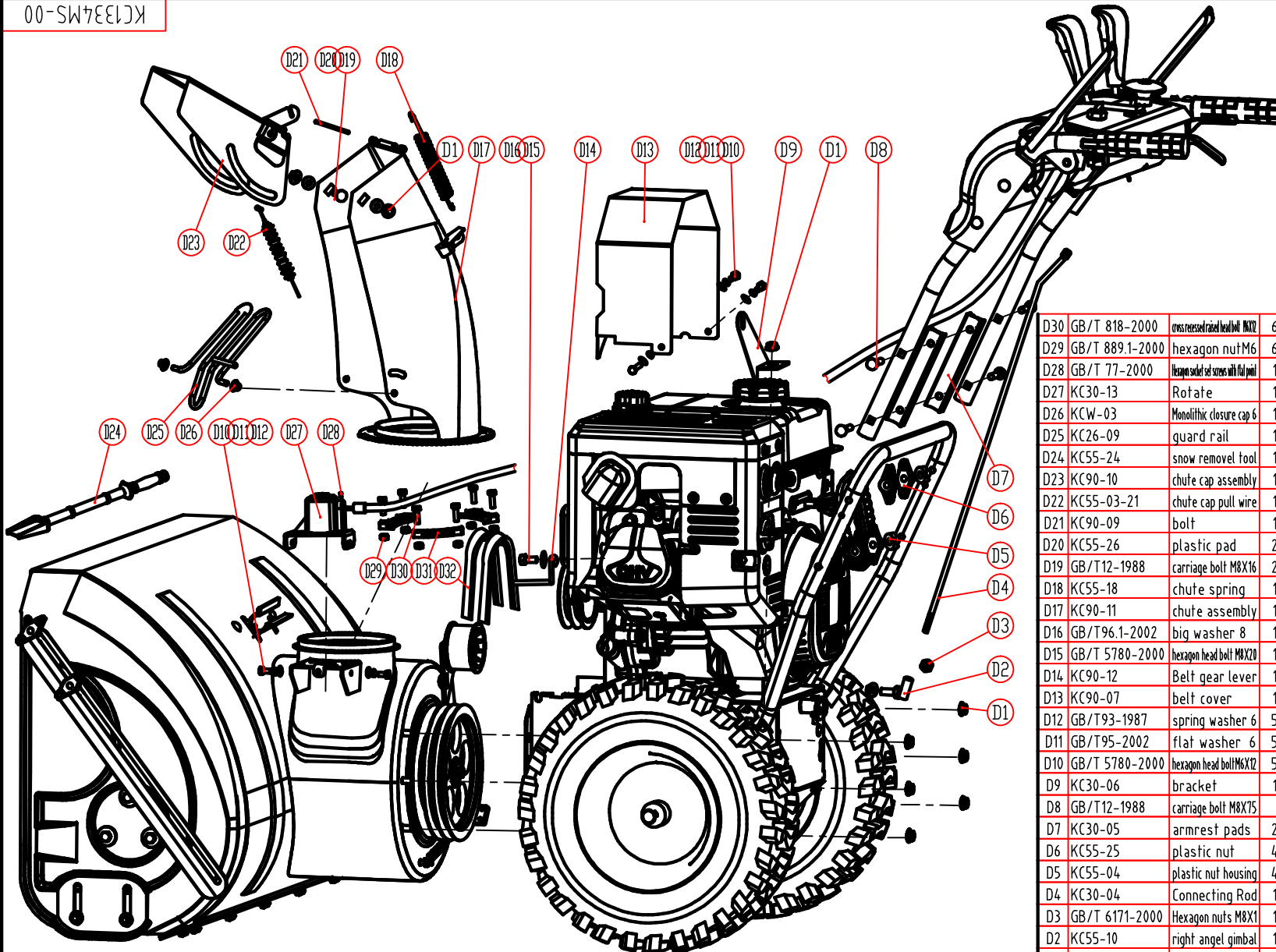


KC1334MS-00



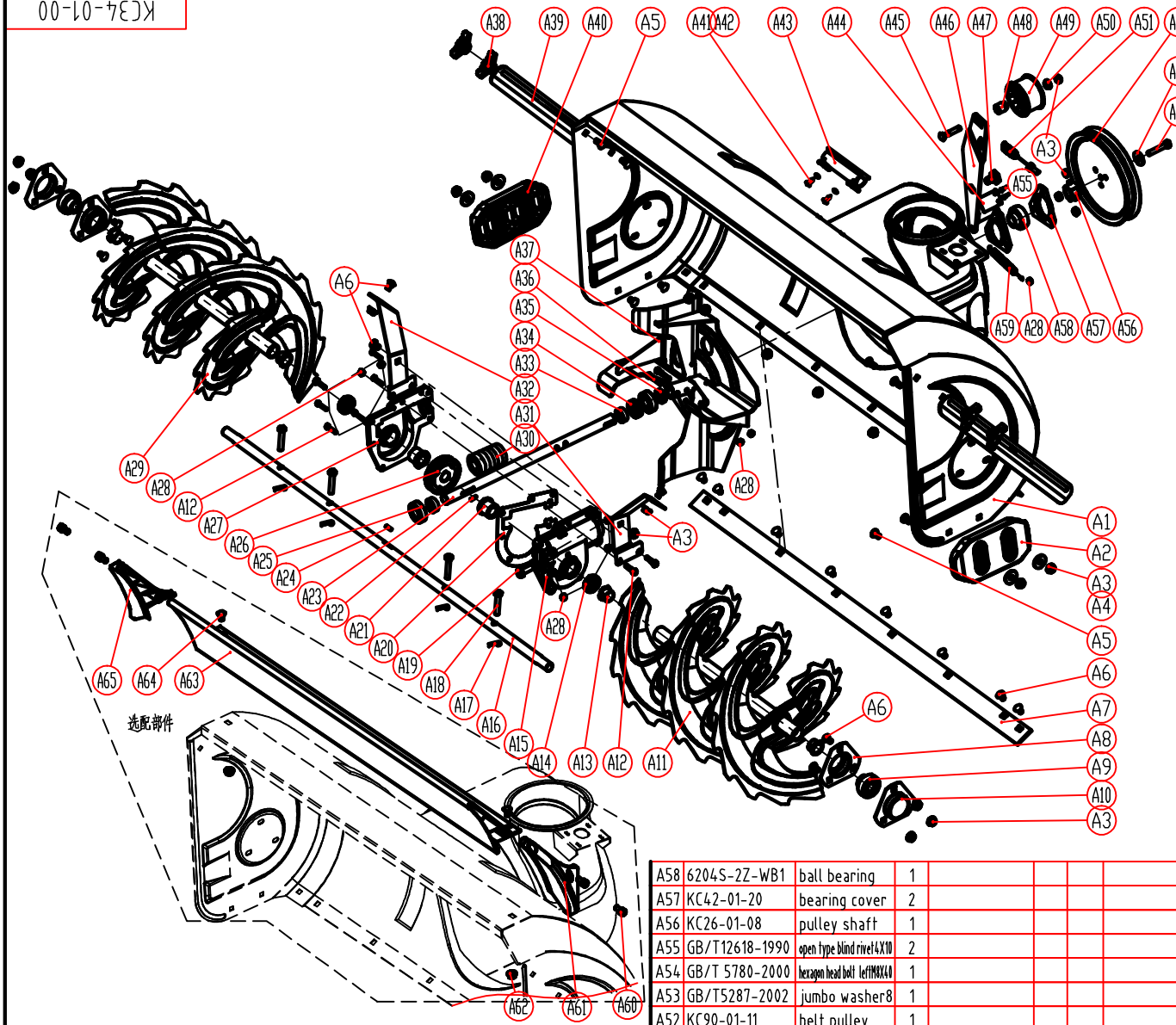
| | | | | | | | |
|-----|------------------|-------------------------------------------|---|--|--|--|-------|
| D30 | GB/T 818-2000 | cross recessed head bolt M8X12 | 6 | | | | M6X12 |
| D29 | GB/T 889.1-2000 | hexagon nut M6 | 6 | | | | |
| D28 | GB/T 77-2000 | hexagon socket set screws with flat point | 1 | | | | M6X8 |
| D27 | KC30-13 | Rotate | 1 | | | | |
| D26 | KCW-03 | Monolithic closure cap 6 | 1 | | | | |
| D25 | KC26-09 | guard rail | 1 | | | | |
| D24 | KC55-24 | snow removal tool | 1 | | | | |
| D23 | KC90-10 | chute cap assembly | 1 | | | | |
| D22 | KC55-03-21 | chute cap pull wire | 1 | | | | |
| D21 | KC90-09 | bolt | 1 | | | | |
| D20 | KC55-26 | plastic pad | 2 | | | | |
| D19 | GB/T12-1988 | carriage bolt M8X16 | 2 | | | | |
| D18 | KC55-18 | chute spring | 1 | | | | |
| D17 | KC90-11 | chute assembly | 1 | | | | |
| D16 | GB/T96.1-2002 | big washer 8 | 1 | | | | |
| D15 | GB/T 5780-2000 | hexagon head bolt M8X20 | 1 | | | | |
| D14 | KC90-12 | Belt gear lever | 1 | | | | |
| D13 | KC90-07 | belt cover | 1 | | | | |
| D12 | GB/T93-1987 | spring washer 6 | 5 | | | | |
| D11 | GB/T95-2002 | flat washer 6 | 5 | | | | |
| D10 | GB/T 5780-2000 | hexagon head bolt M6X12 | 5 | | | | |
| D9 | KC30-06 | bracket | 1 | | | | |
| D8 | GB/T12-1988 | carriage bolt M8X75 | | | | | |
| D7 | KC30-05 | armrest pads | 2 | | | | |
| D6 | KC55-25 | plastic nut | 4 | | | | |
| D5 | KC55-04 | plastic nut housing | 4 | | | | |
| D4 | KC30-04 | Connecting Rod | 1 | | | | |
| D3 | GB/T 6171-2000 | Hexagon nuts M8X1 | 1 | | | | |
| D2 | KC55-10 | right angel gimbal | 1 | | | | |
| D1 | GB/T 6183.1-2000 | hex flange nut M8 | 9 | | | | |

借通附件登记
描图
校描
旧底图总号
签字
日期

| | | | | | | | |
|-----|---------|-------------|---|--|--|--|--|
| D32 | 13X1005 | belt | 2 | | | | |
| D31 | KC55-23 | fixed block | 3 | | | | |

| | | | |
|-----------|--|----------------------------|--|
| ying | | KC MECHANICAL & ELECTRICAL | |
| AZ | | KC1334MS-00 | |
| SCALE 1:4 | | DATE | |

00-10-7C3K



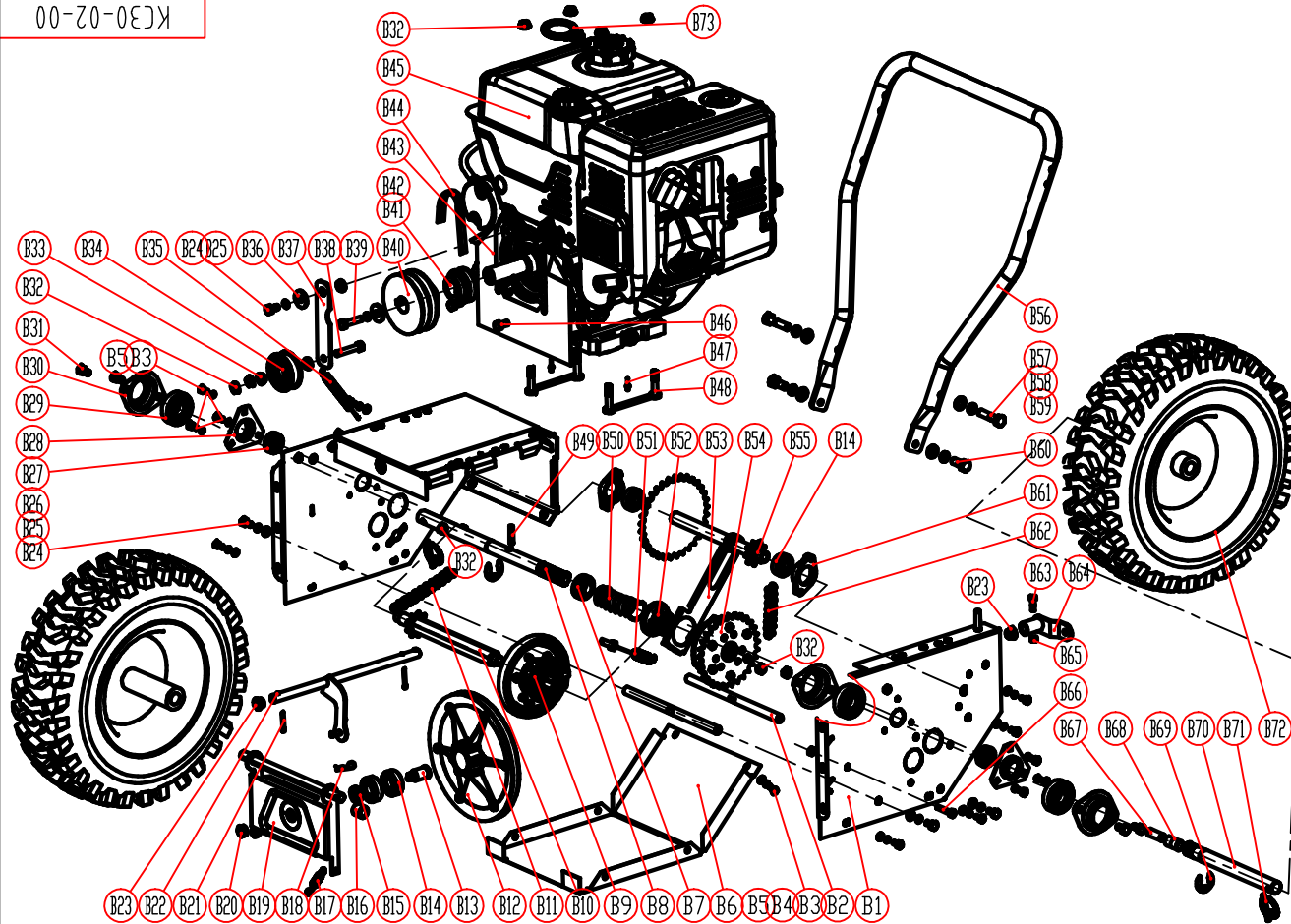
| | | | | | | | | | |
|-----|------------------|-------------------------------|---|--|--|--|--|--|--|
| A65 | KC26-01-11 | Left Cover | 1 | | | | | | |
| A64 | GB/T12-1988 | carriage bolt M8X20 | 2 | | | | | | |
| A63 | KC34-01-06 | Higher Panel | 1 | | | | | | |
| A62 | GB/T 6183.1-2000 | hex flange lock nut M8 | 2 | | | | | | |
| A61 | KC26-01-09 | Right Cover | 1 | | | | | | |
| A60 | GB/T 70.1-1985 | hexagon socket cap screw M8X4 | 4 | | | | | | |
| A59 | KC55-01-31 | spring5 | 1 | | | | | | |

| | | | | | | | | | |
|-----|----------------|-----------------------------|---|--|--|--|--|--|--|
| A58 | 6204S-2Z-WB1 | ball bearing | 1 | | | | | | |
| A57 | KC42-01-20 | bearing cover | 2 | | | | | | |
| A56 | KC26-01-08 | pulley shaft | 1 | | | | | | |
| A55 | GB/T12618-1990 | open type blind rivet4X10 | 2 | | | | | | |
| A54 | GB/T 5780-2000 | hexagon head bolt leftM8X40 | 1 | | | | | | |
| A53 | GB/T5287-2002 | jumbo washer8 | 1 | | | | | | |
| A52 | KC90-01-11 | belt pulley | 1 | | | | | | |
| A51 | KC55-01-28 | auger pull wire | 1 | | | | | | |
| A50 | KC55-01-26 | pad | 1 | | | | | | |
| A49 | KC55-01-27 | big tension pulley | 1 | | | | | | |
| A48 | KC55-01-24 | pad | 1 | | | | | | |
| A47 | KC90-01-12 | hexagon screw | 1 | | | | | | |
| A46 | KC90-01-10 | fixed plate | 1 | | | | | | |
| A45 | GB/T12-1988 | carriage bolt M8X40 | 1 | | | | | | |

| | | | | | | | | | |
|-----|------------------|--------------------------------|----|--|--|--|--|--|----------|
| A44 | KC90-01-18 | shave plate | 1 | | | | | | |
| A43 | KC55-01-21 | bracket for saw removal tool | 1 | | | | | | |
| A42 | GB/T95-2002 | flat washer 6 | 2 | | | | | | 垫圈6 |
| A41 | GB/T 845-1985 | parallel key with rounded T100 | 2 | | | | | | ST4.2X13 |
| A40 | KC42-01-14 | slide shoe | 2 | | | | | | |
| A39 | KC26-01-06 | Housing Strut | 2 | | | | | | |
| A38 | KC55-25 | plastic nut | 4 | | | | | | |
| A37 | KC42-01-19 | fan | 1 | | | | | | |
| A36 | GB/T 5780-2000 | hexagon head bolt M6X35 | 2 | | | | | | |
| A35 | GB13871-1993 | seal ring 20X35X7 | 1 | | | | | | |
| A34 | GB/T301-1995 | thrust ball bearing 51104 | 1 | | | | | | |
| A33 | KC42-01-18 | Worm Shaft Sleeve | 2 | | | | | | |
| A32 | KC90-01-07 | bracket left | 1 | | | | | | |
| A31 | KC90-01-06 | bracket right | 1 | | | | | | |
| A30 | KC42-01-17 | Worm | 1 | | | | | | |
| A29 | KC34-01-05 | auger left | 1 | | | | | | |
| A28 | GB/T 889.1-2000 | hex nut with nonmetal insertM6 | 10 | | | | | | |
| A27 | KC42-01-15 | worm housing | 1 | | | | | | |
| A26 | KC42-01-14 | worm gear | 1 | | | | | | |
| A25 | GB/T276-1994 | bearing6004 | 2 | | | | | | |
| A24 | GB/T1096-1979 | parallel keyA8X7X25 | 1 | | | | | | |
| A23 | KC42-01-13 | Worm Shaft | 1 | | | | | | |
| A22 | GB/T1096-1979 | parallel keyA6X6X20 | 1 | | | | | | |
| A21 | KC42-01-12 | output shaft sleeve(Φ25) | 2 | | | | | | |
| A20 | KC42-01-11 | paper pad | 1 | | | | | | |
| A19 | GB/T 5780-2000 | hex head flange ballM10X10 | 1 | | | | | | |
| A18 | KC42-01-10 | safety bolt | 4 | | | | | | |
| A17 | KC55-29 | individual pin pinchcock | 4 | | | | | | |
| A16 | KC34-01-04 | output shaft | 1 | | | | | | |
| A15 | KC42-01-08 | worm housing | 1 | | | | | | |
| A14 | GB13871-1993 | frame work sealing ringSXSXS | 2 | | | | | | |
| A13 | KC42-01-07 | small bushing | 4 | | | | | | |
| A12 | GB/T 5780-2000 | hexagon head bolt M6X30 | 8 | | | | | | |
| A11 | KC34-01-03 | quger right | 1 | | | | | | |
| A10 | KC42-01-05 | Sealed bearing Seat | 2 | | | | | | |
| A9 | SB205 | ball bearing | 2 | | | | | | |
| A8 | KC42-01-04 | Bearing Seat | 2 | | | | | | |
| A7 | KC34-01-02 | 42'shave plate | 1 | | | | | | |
| A6 | GB/T12-1988 | carriage bolt M8X15 | 11 | | | | | | |
| A5 | GB/T12-1988 | carriage bolt M8X20 | 8 | | | | | | |
| A4 | GB/T96.2-2002 | big washer8 | 4 | | | | | | 8 |
| A3 | GB/T 6183.1-2000 | hex flange lock nutM8 | 25 | | | | | | |
| A2 | KC42-01-02 | slide shoe | 2 | | | | | | |
| A1 | KC34-01-01 | housing assembly | 1 | | | | | | |

| | | |
|-----------------------|----------------------------|------------|
| ying 2011.4 1:6 | KC MECHANICAL & ELECTRICAL | KC34-01-00 |
|-----------------------|----------------------------|------------|

00-Z0-0E3X



| | | | | | | | | | |
|-----|------------------|----------------------------------------|----|--|--|--|--|--|--|
| B44 | 37X132BE | belt | 1 | | | | | | |
| B43 | KC90-02-18 | bushing for driving shaft | 1 | | | | | | |
| B42 | KC90-02-17-2 | belt pulley2 | 1 | | | | | | |
| B41 | KC55-02-17-1 | belt pulley1 | 1 | | | | | | |
| B40 | KC90-02-16 | small belt pulley | 1 | | | | | | |
| B39 | GB/T5785-2000 | hexagon head bolt M6X35 | 1 | | | | | | |
| B38 | GB/T 5780-2000 | hexagon head bolt M6X45 | 1 | | | | | | |
| B37 | KC90-02-28 | small tension plate | 1 | | | | | | |
| B36 | GB/T5287-2002 | jumbo washer8 | 2 | | | | | | |
| B35 | KC90-02-15 | spring | 1 | | | | | | |
| B34 | KC55-02-21 | small tension pulley | 1 | | | | | | |
| B33 | KC55-01-26 | gasket | 2 | | | | | | |
| B32 | GB/T 6183.1-2000 | hex flange nut with nonmetal insert M8 | 10 | | | | | | |
| B31 | GB/T 5780-2000 | hex head bolt M8X16 | 9 | | | | | | |
| B30 | KC90-02-11 | rhombus bearing housing | 2 | | | | | | |
| B29 | 6205 | bearing | 3 | | | | | | |
| B28 | KC90-02-12 | triangle bearing housing | 2 | | | | | | |
| B27 | 6002 | bearing | 2 | | | | | | |
| B26 | GB/T95-2002 | flat washer8 | 4 | | | | | | |
| B25 | GB/T93-1987 | spring washer 8 | 5 | | | | | | |
| B24 | GB/T 5780-2000 | hex head bolt M8X16 | 9 | | | | | | |
| B23 | KC90-02-07 | plastic bushing | 2 | | | | | | |
| B22 | KC90-02-06 | shifting fork | 1 | | | | | | |
| B21 | GB/T91-2000 | coffer pin 2.5X25 | 2 | | | | | | |
| B20 | GB/T 889.1-2000 | hex lock nut with nonmetal insert M8 | 1 | | | | | | |
| B19 | KC55-02-09 | belt pulley bracket | 1 | | | | | | |
| B18 | KC55-29 | individual pen pincheck | 1 | | | | | | |
| B17 | KC55-02-07 | spring6 | 1 | | | | | | |
| B16 | KC55-02-10 | spacer | 1 | | | | | | |
| B15 | KC90-02-34 | shaft washer | 1 | | | | | | |
| B14 | 6003 | bearing | 4 | | | | | | |
| B13 | KC90-02-13 | transmission belt shaft | 1 | | | | | | |
| B12 | KC90-02-08 | friction pulley | 1 | | | | | | |
| B11 | KC90-02-08 | friction pulley | 1 | | | | | | |
| B10 | KC30-02-04 | hexagon axle | 1 | | | | | | |
| B9 | KC55-02-15 | change pulley assembly | 1 | | | | | | |
| B8 | KC30-02-03 | Semi-Major Axis | 1 | | | | | | |
| B7 | KC30-02-02 | Ring | 1 | | | | | | |
| B6 | KC90-02-01 | cover, frame | 1 | | | | | | |
| B5 | GB/T93-1987 | spring washer 6 | 16 | | | | | | |
| B4 | GB/T95-2002 | flat washer 6 | 10 | | | | | | |
| B3 | GB/T 5780-2000 | hex head bolt M6X12 | 16 | | | | | | |
| B2 | KC90-02-31 | strut bar | 2 | | | | | | |
| B1 | KC30-02-01 | boxbody | 1 | | | | | | |

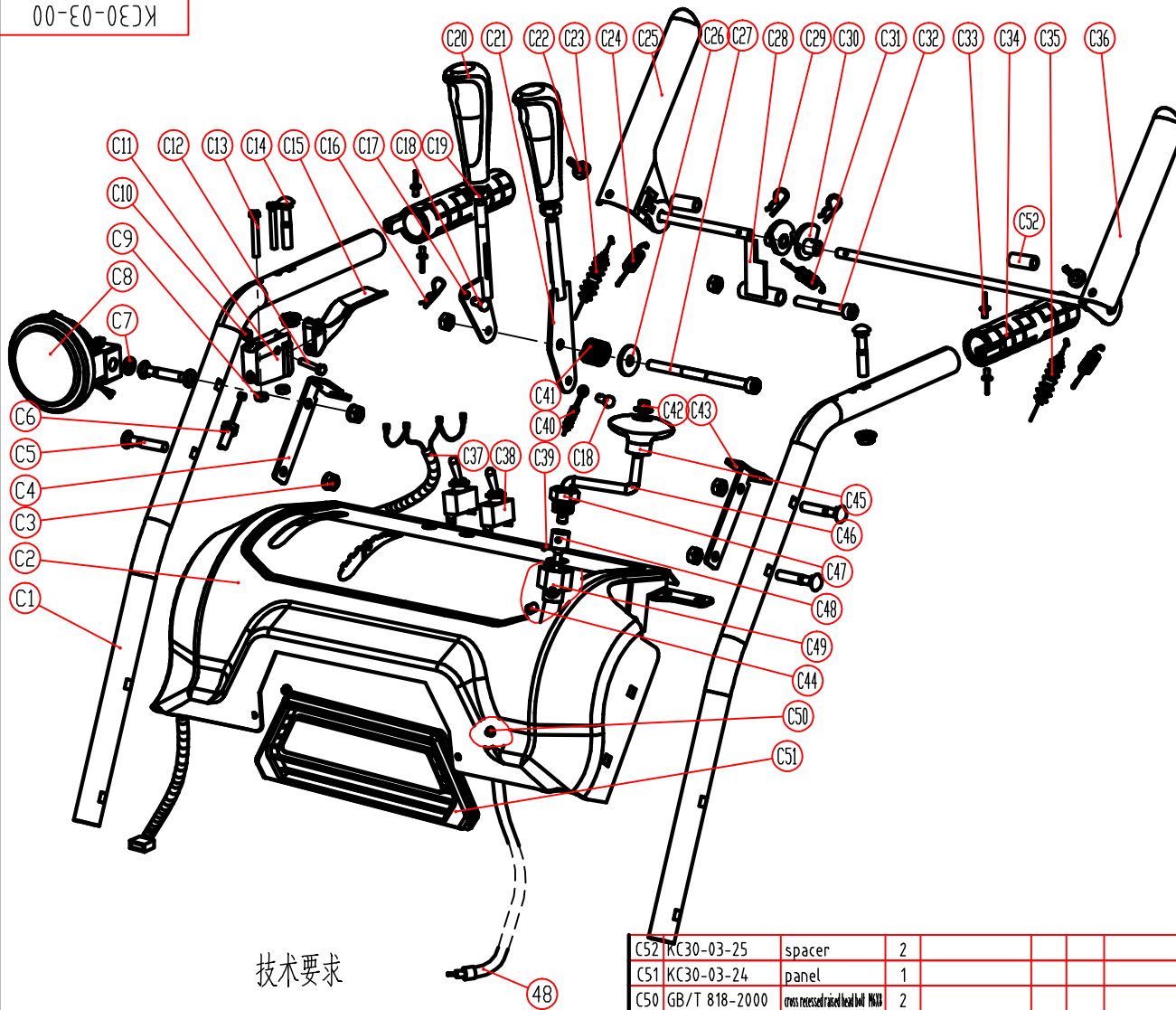
借通用件登记
描图
校描
旧底图总号
签字
日期

| | | | | | | | | | |
|-----|-----------------|--------------------------------------|---|--|--|--|--|--|--|
| B73 | KC30-02-17 | Pull button | 1 | | | | | | |
| B72 | 16X6.5-8 | skidproof tyre | 2 | | | | | | |
| B71 | KCW-03 | D Pin 8X50 | 2 | | | | | | |
| B70 | KC30-02-14 | Short Semiaxis | 1 | | | | | | |
| B69 | GB896-2000 | Split Washer 22 | 2 | | | | | | |
| B68 | 15X17X15 | Shaft Sleeve | 2 | | | | | | |
| B67 | KC30-02-13 | Core shaft | 1 | | | | | | |
| B66 | GB/T 5780-2000 | hex head bolt M6X35 | 1 | | | | | | |
| B65 | GB/T 889.1-2000 | hexagon bolt with nonmetal insert M8 | 2 | | | | | | |
| B64 | KC30-02-12 | gear connector | 1 | | | | | | |
| B63 | GB/T 5780-2000 | hex head bolt M6X30 | 1 | | | | | | |
| B62 | 084-38 | roller chain | 1 | | | | | | |
| B61 | KC30-02-11 | Bering Pedestal | 2 | | | | | | |

| | | | | | | | | | |
|-----|-----------------|----------------------------|---|--|--|--|--|--|--|
| B60 | GB/T 5780-2000 | hex head bolt M10X25 | 2 | | | | | | |
| B59 | GB/T95-2002 | flat washer10 | 4 | | | | | | |
| B58 | GB/T93-1987 | spring washer 10 | 4 | | | | | | |
| B57 | GB/T 5780-2000 | hex head bolt M10X45 | 2 | | | | | | |
| B56 | KC90-02-21 | handle lower | 1 | | | | | | |
| B55 | KC30-02-10 | Shaft Assembly | 1 | | | | | | |
| B54 | KC30-02-09 | differential | 1 | | | | | | |
| B53 | KC30-02-08 | Clutch fork | 1 | | | | | | |
| B52 | KC30-02-07 | auxiliary clutch | 1 | | | | | | |
| B51 | KC30-02-06 | Wire | 1 | | | | | | |
| B50 | KC30-02-05 | big spring | 1 | | | | | | |
| B49 | GB/T879-2000 | spring pin | 1 | | | | | | |
| B48 | KC90-02-19 | twin bolt | 1 | | | | | | |
| B47 | GB/T 12618-1990 | open type blind rivet 4X10 | 2 | | | | | | |
| B46 | GB/T 5780-2000 | hex head bolt M8X10 | 2 | | | | | | |
| B45 | LC180F(D)S | engine | 1 | | | | | | |

| | | | | |
|-------|--|------------|----------------------------|--|
| DATE | | 2011/6/25 | KC MECHANICAL & ELECTRICAL | |
| AZ | | KC30-02-00 | | |
| 1:5.5 | | | | |

00-E0-0E3X



技术要求

1. 装配前, 所有零件应用于干净、无杂物、异物。
2. 装配过程, 表面油漆不得划伤、碰撞漆等。
3. 压下序号25手柄和33手柄再放开33手柄能保持下压状态。
4. 先粘贴面板操作标贴, 在安装电气开关。

| | | | | | | | |
|-----|---------------|--------------------------------------|---|--|--|------|--|
| C52 | KC30-03-25 | spacer | 2 | | | | |
| C51 | KC30-03-24 | panel | 1 | | | | |
| C50 | GB/T 818-2000 | cross recessed raised head bolt M6X8 | 2 | | | | |
| C49 | KC30-03-23 | Fixed seat of Rocker 1 | 1 | | | | |
| C48 | KC30-03-22 | Flexible Shaft | 1 | | | | |
| C47 | KC30-03-21 | Fixed Seat of Rocker 2 | 1 | | | | |
| C46 | KC30-03-20 | small rocker | 1 | | | | |
| C45 | KC30-03-19 | Rocker Handle | 1 | | | | |
| C44 | GB/T 77-2000 | Hexagon socket set screws M6X8 | 1 | | | M6X8 | |
| C43 | KC30-03-15 | Wire Seat Right | 1 | | | | |
| C42 | KCW-01 | Monolithic closure cap 8 | 1 | | | | |
| C41 | KC55-03-04 | pretighten spring | 1 | | | | |
| C40 | KC55-03-21 | chute cap pull wire | 1 | | | | |

| | | | | | | | |
|-----|------------------|--------------------------------------------|---|--|--|--|-------|
| C39 | GB/T 77-2000 | screw M4X6 | 1 | | | | |
| C38 | HY64 | arc switch | 2 | | | | |
| C37 | KC30-03-14 | input wire | 1 | | | | |
| C36 | KC30-03-13 | handle left | 1 | | | | |
| C35 | KC90-01-12 | auger pull wire | 1 | | | | |
| C34 | KC90-04-04 | Heated Handle | 2 | | | | |
| C33 | GB/T 12618-1990 | open type blind rivet 3X8 | 4 | | | | |
| C32 | GB/T 70.1-1985 | hexagon socket cap screw M6X10 | 1 | | | | |
| C31 | KC55-03-11 | stopping spring | 1 | | | | |
| C30 | KC55-03-13 | cam | 2 | | | | |
| C29 | KC55-03-23 | individual pen pinchcock | 2 | | | | |
| C28 | KC55-03-12 | stopping part | 1 | | | | |
| C27 | GB/T 70.1-1985 | hexagon socket cap screw M6X10 | 1 | | | | |
| C26 | GB/T 5287-2002 | jumbo washer 8 | 1 | | | | |
| C25 | KC30-03-12 | handle right | 1 | | | | |
| C24 | KC55-03-17 | handle spring | 2 | | | | |
| C23 | KC90-04-02 | moving pull wire | 1 | | | | |
| C22 | KC55-03-15 | rubber pad | 2 | | | | |
| C21 | KC30-03-11 | chute cap handle | 1 | | | | |
| C20 | KC30-03-10 | regulation handle | 2 | | | | |
| C19 | GB/T 889.1-2000 | hexagon nut with nonmetal insert M6 | 2 | | | | |
| C18 | KC55-03-06 | pull wire bolt | 2 | | | | |
| C17 | KC30-03-09 | Gear control lever | 1 | | | | |
| C16 | KC55-29 | individual pen pinchcock | 2 | | | | |
| C15 | KC30-03-08 | Clutch Handle | 1 | | | | |
| C14 | GB/T 12-1988 | carriage bolt M8X35 | 1 | | | | |
| C13 | GB/T 5780-2000 | hexagon head bolt M5X30 | 2 | | | | |
| C12 | KC30-03-06 | handle bolt | 1 | | | | |
| C11 | KC30-03-05 | Clutch Handle Seat | 1 | | | | |
| C10 | GB/T 889.1-2000 | hexagon nut with nonmetal insert M6 | 1 | | | | |
| C9 | GB/T 889.1-2000 | hexagon nut with nonmetal insert M6 | 2 | | | | |
| C8 | KC30-03-04 | light | 1 | | | | |
| C7 | KC55-26 | plastic pad | 1 | | | | |
| C6 | KC30-02-06 | Clutch Wire | 1 | | | | |
| C5 | GB/T 12-1988 | carriage bolt M8X40 | 4 | | | | |
| C4 | KC30-03-03 | Wire Seat Right | 1 | | | | |
| C3 | GB/T 6183.1-2000 | hexagon flange nut with nonmetal insert M6 | 8 | | | | |
| C2 | KC30-03-02 | panel-electronic | 1 | | | | |
| C1 | KC30-03-01 | handle upper | 2 | | | | |
| 56 | GB/T 195-2002 | 平垫圈 6 | 1 | | | | 垫圈 6 |
| 55 | GB/T 193-1987 | 弹性垫圈 6 | 1 | | | | 6 |
| 54 | GB/T 818-2000 | 十字槽盘头螺钉 M6X12 | 3 | | | | M6X12 |
| 53 | GB/T 889.1-2000 | 非金属嵌件圆螺母 M6 | 2 | | | | |
| 48 | KC30-03-22 | Flexible Shaft | 1 | | | | |

借通附件登记
描图
校描
旧底图总号
签字
日期

| | | | |
|------|--------|----|------------|
| 设计 | 日期 | | KC30-03-00 |
| ying | 2011.4 | | |
| 审核 | | 比例 | 1:3 |
| 制图 | | 图号 | |
| 日期 | | 图名 | |